

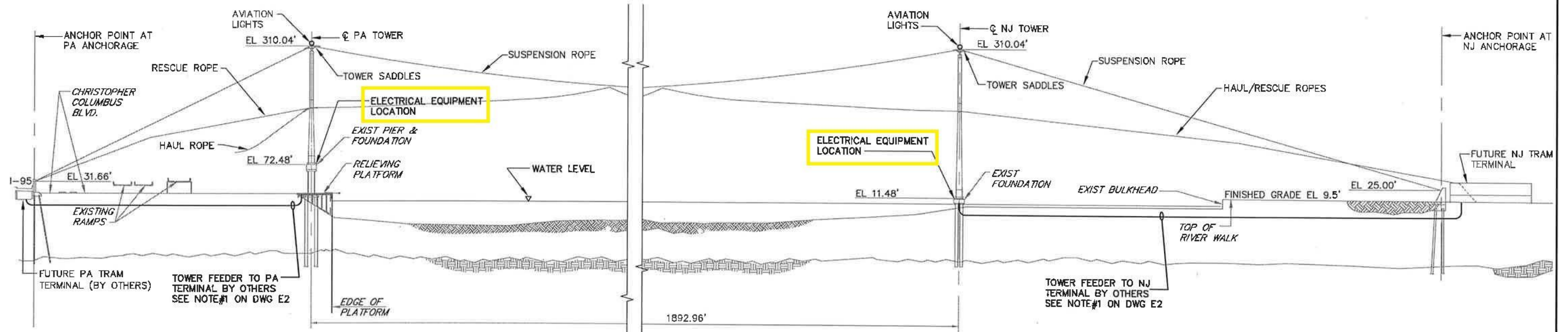
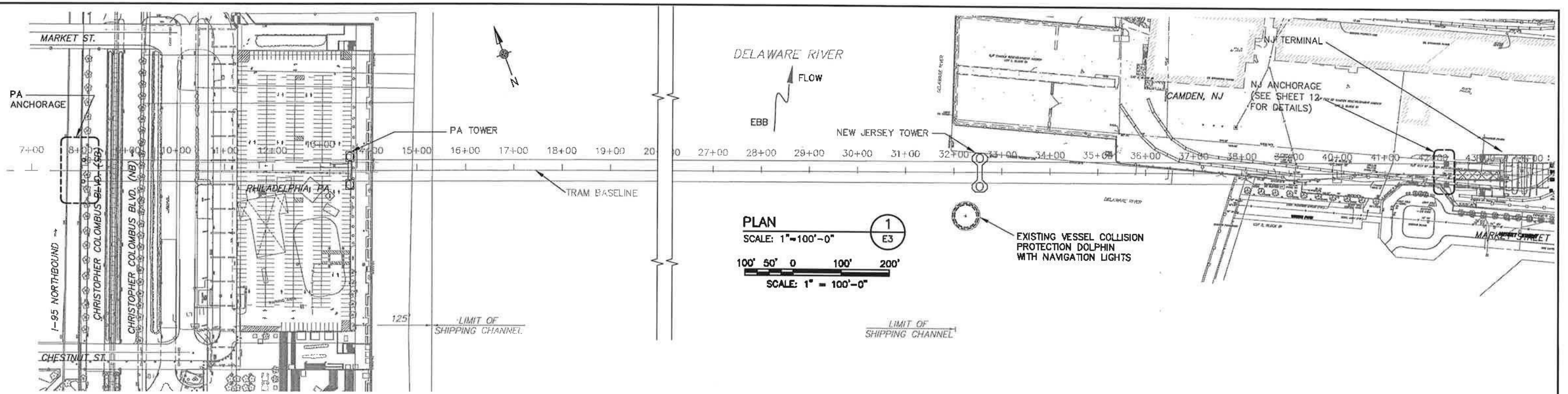
LIMIT OF WORK
 PHILADELPHIA
 PENNSYLVANIA

LOCATION MAP

NO SCALE

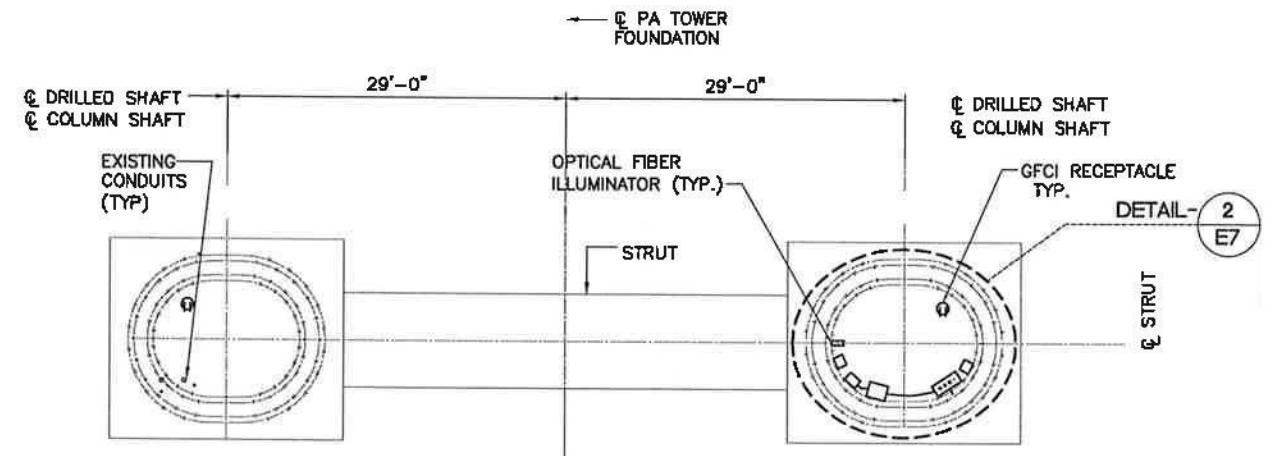
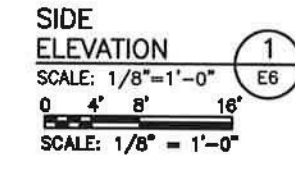
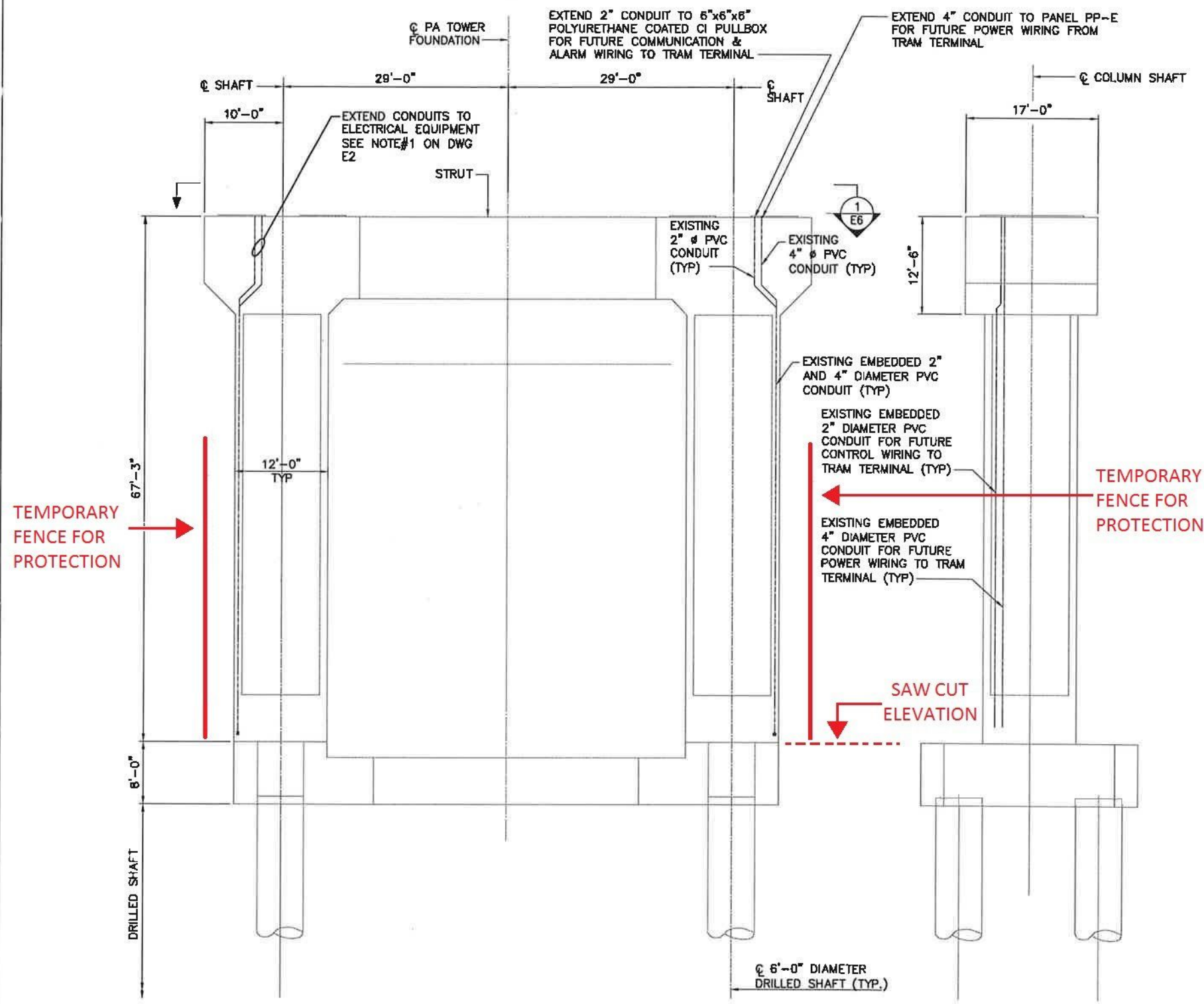
LEGEND

 PROJECT LOCATION

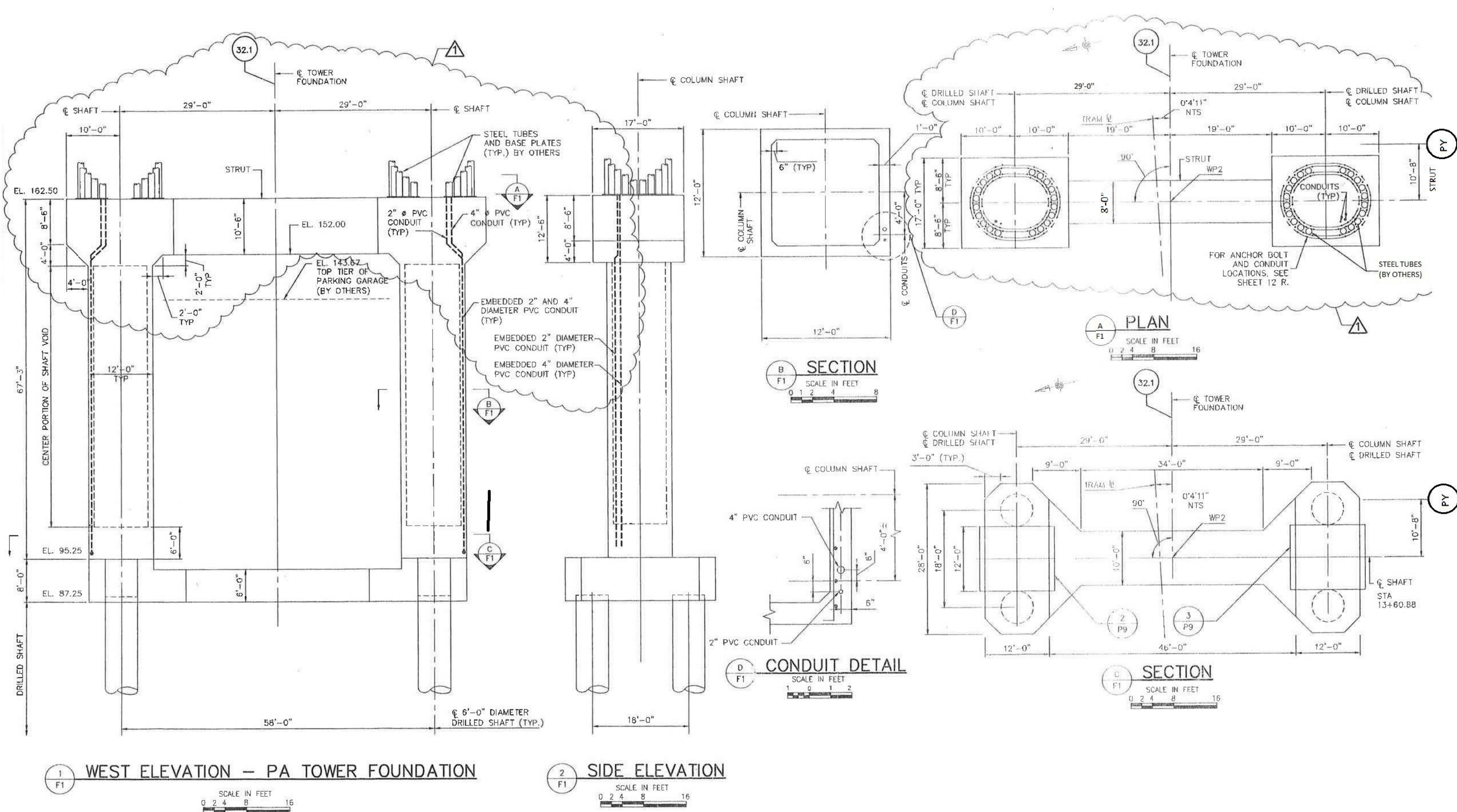


NOTES:
 1. FOR GENERAL NOTES AND ABBREVIATIONS SEE DWG. E1.

ELECTRICAL SITE PLAN AND ELEVATION

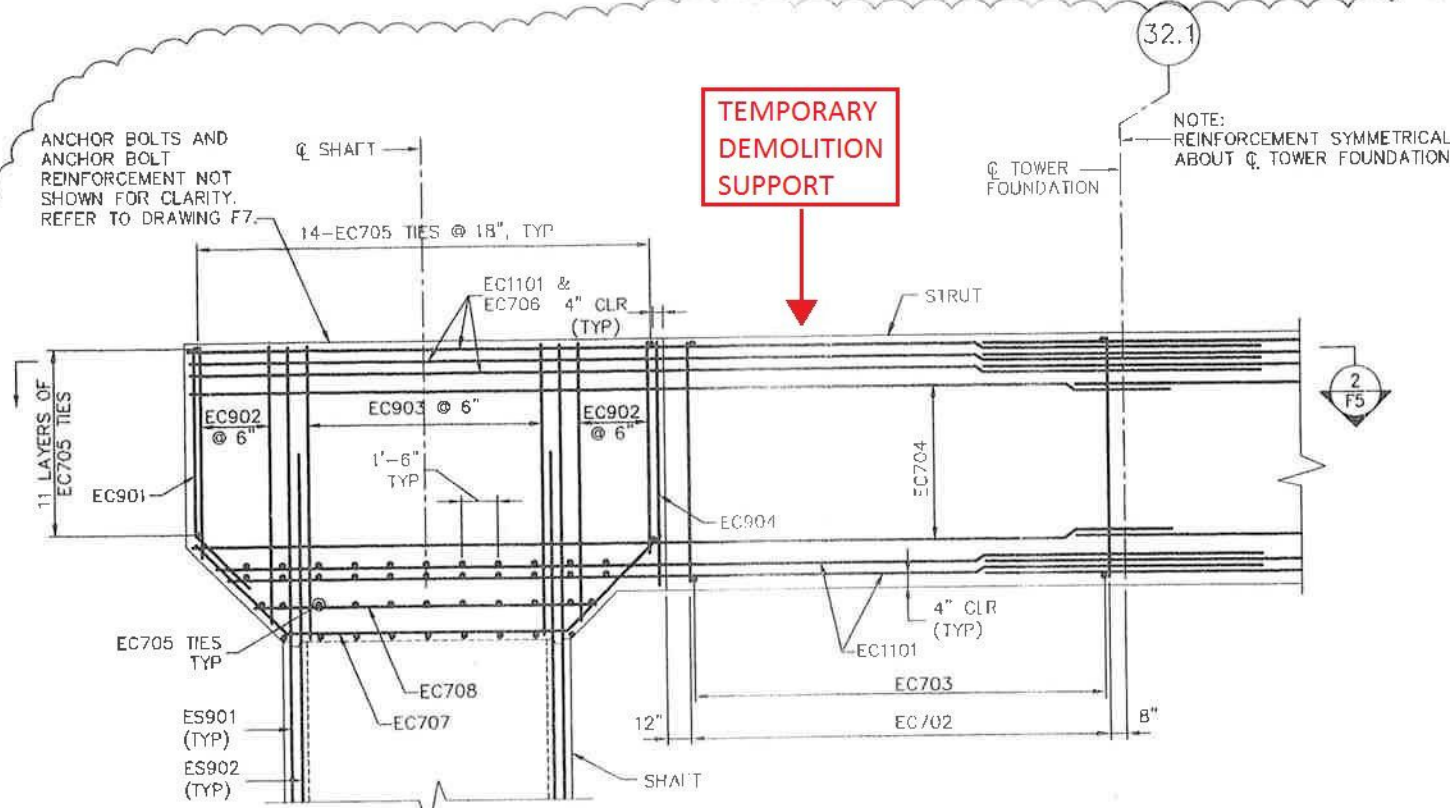


- NOTES:
1. FOR GENERAL NOTES AND ABBREVIATIONS SEE DWG. E1.
 2. PANEL SCHEDULE AND ONE-LINE DIAGRAM SEE DWG. E2
 3. FOR DETAIL OF FLOOR MOUNTED PANEL SEE DWG. E12.

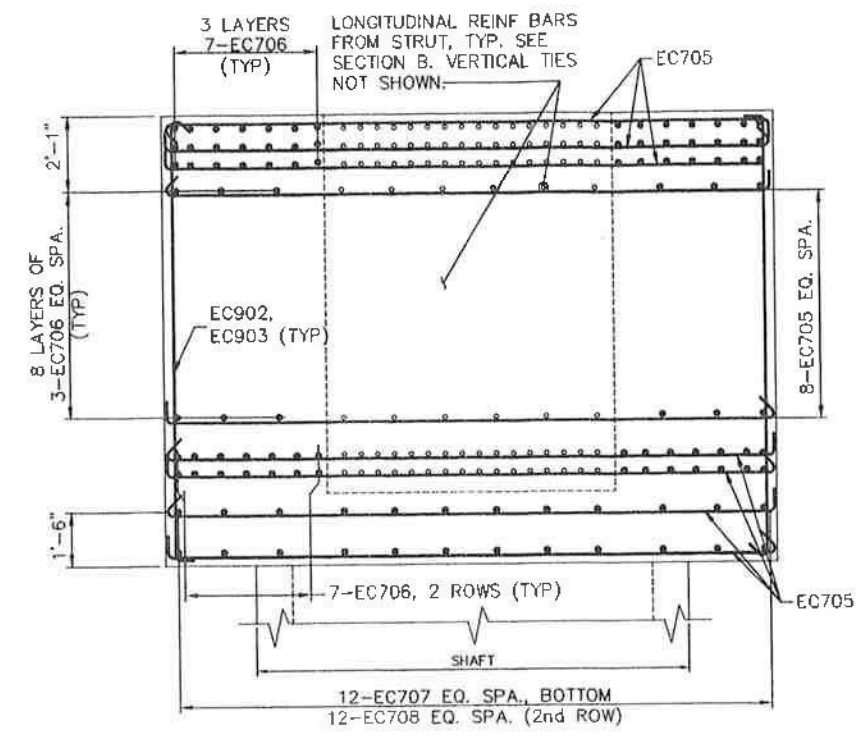


NOTE:
 1. ELEVATIONS SHOWN ARE BASED ON PENN'S LANDING ENTERTAINMENT CENTER PROJECT DATUM.

LEGEND:
 (32.1) PARKING GARAGE BUILDING GRID LINE



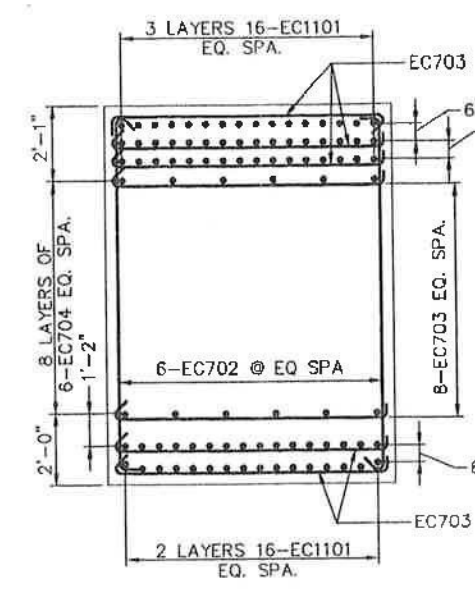
1 TOWER CAP AND STRUT ELEVATION



A SECTION



NOTE:
ES601, ES901 AND ES902 NOT SHOWN. SEE
DRAWING F-6, SHEET NO. 11 FOR DETAILS.

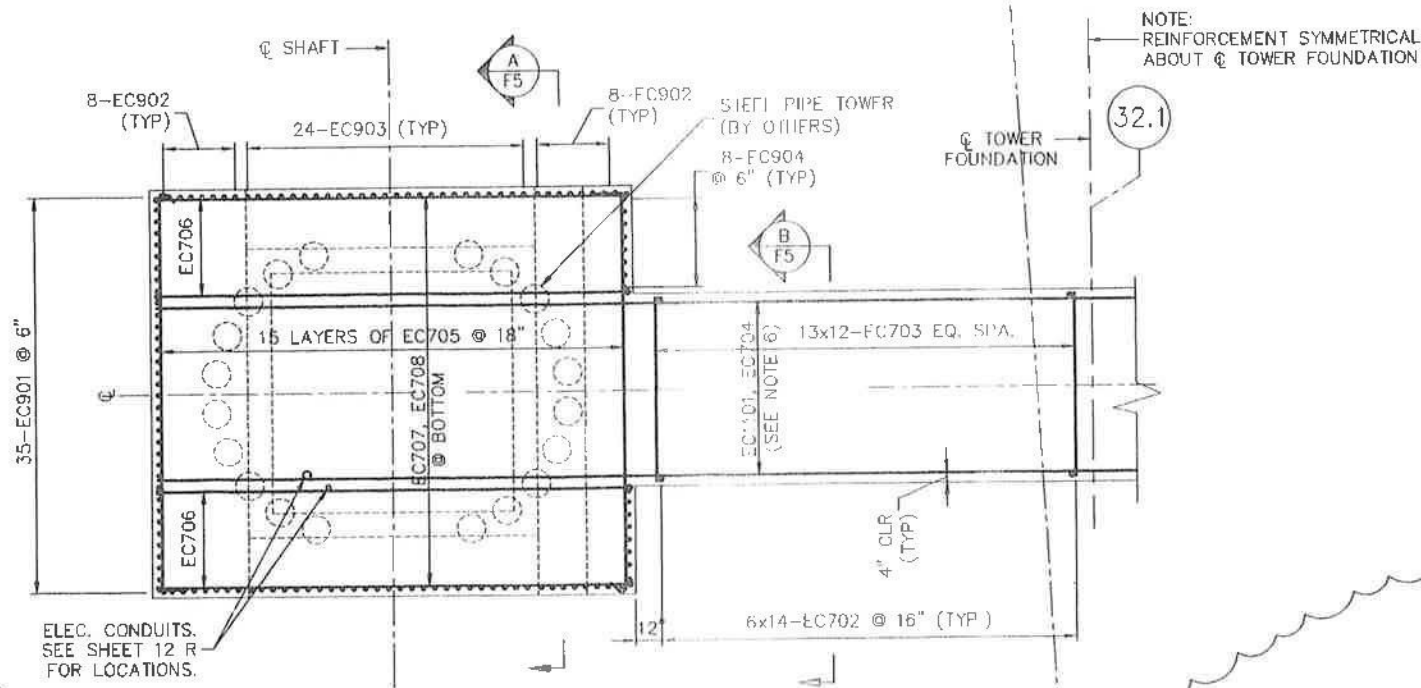


B SECTION

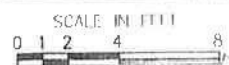


NOTES:

1. EXCEPT FOR EC1101, EC704 AND EC706, USE ALTERNATE 135° HOOK FOR ALL BARS.
2. LAP LENGTH: 11'-6" FOR #11 BARS
7'-6" FOR #9 BARS
4'-0" FOR #7 BARS
3. "E" PREFIX DENOTES EPOXY COATED REINFORCING BAR.
4. EC1101 & EC704 BARS IN STRUT EXTEND HORIZONTALLY TO END OF CAP.
5. FOR REINFORCEMENT BAR FABRICATION DETAILS, REFER TO DWG NO F8.
6. PLACE REINFORCEMENT TO AVOID INTERFERENCE WITH ANCHOR BOLTS AND ANCHOR BOLT REINFORCING WHILE KEEPING REINFORCEMENT APPROXIMATELY EQUALLY SPACED.



2 TOWER CAP AND STRUT PLAN-2



SHAFT AND STRUCT REINFORCEMENT
(AS BUILT)